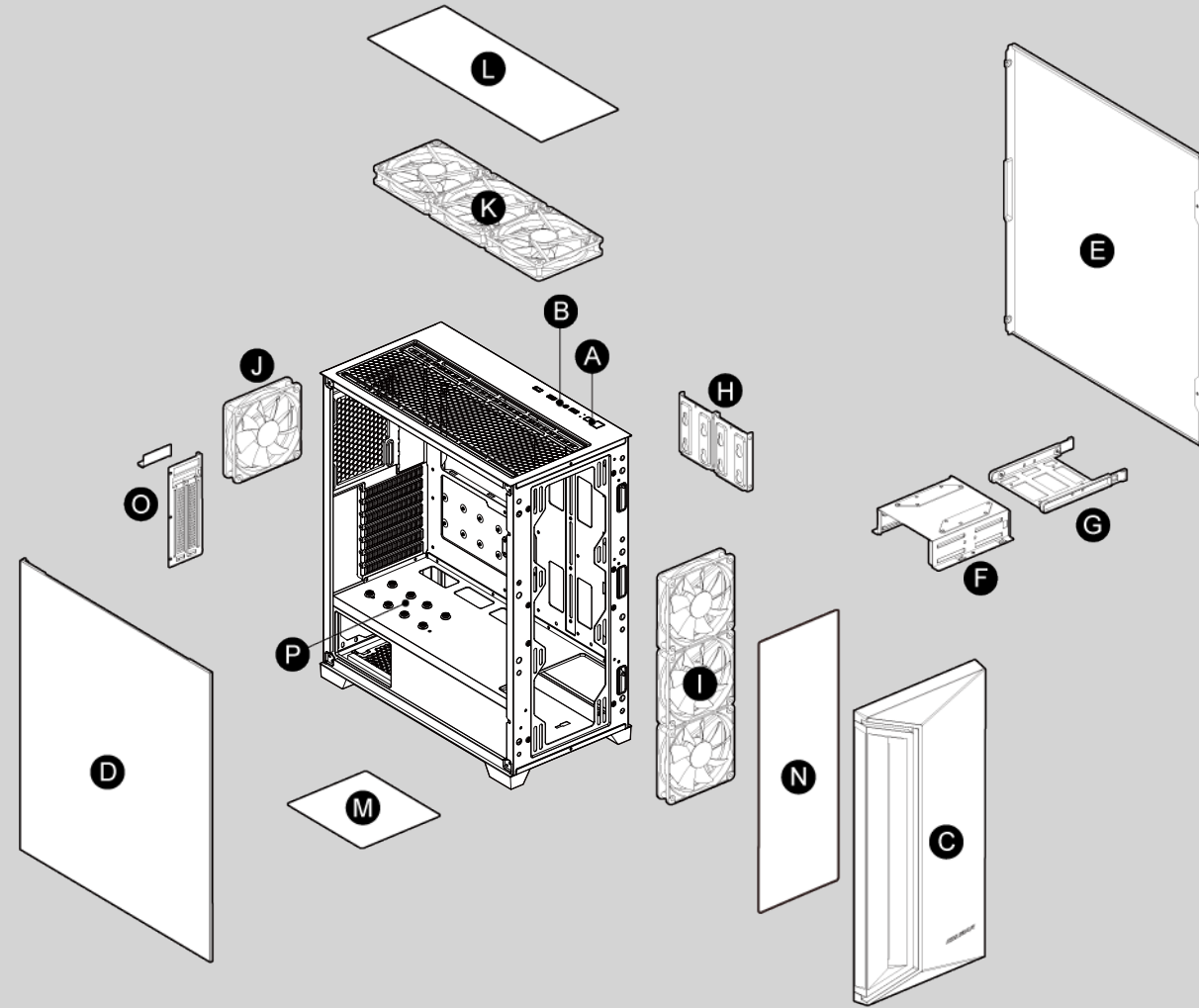




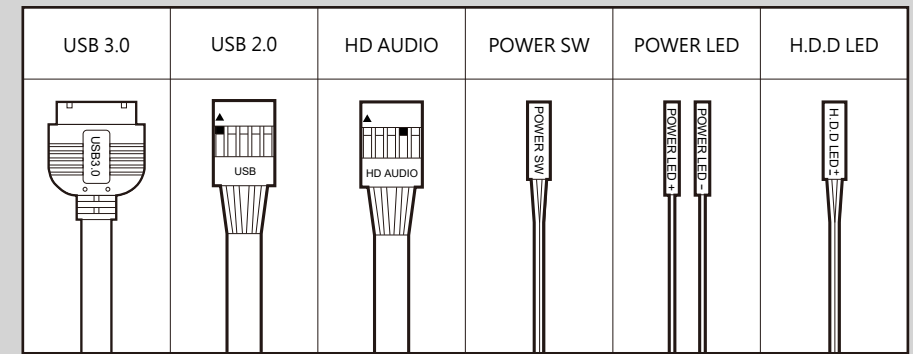
DARK BLADER X7

Assembly Drawing



- A** Power button / RGB button
- B** USB 3.0 / USB 2.0 / HD audio ports
- C** Front panel
- D** Tempered glass side panel
- E** Right side panel
- F** 3.5" HDD cage (compatible for 2.5" HDD/SSD)
- G** 3.5" HDD trays (compatible for 2.5" HDD/SSD)
- H** 2.5" HDD/SSD trays
- I** 3 x 120mm / 3 x 140mm fans for front panel (optional)
- J** 120mm fan for rear panel (pre-installed)
- K** 3 x 120mm / 2 x 140mm fans for top panel (optional)
- L** Air filter for top panel
- M** Air filter for bottom panel
- N** Air filter for front panel
- O** Slot covers
- P** Rubber screws of 2.5" SSD trays

Installing the Front I/O Connectors



ACCESSORY KIT

		Motherboard screws & 2.5" SSD screws	X 19
		Power supply screws & 3.5" HDD screws	X 13
		Stand-off for motherboard	X 3
		Fan screws	X 12
		Stand-off for VGA riser cable	X 2
		Cable ties	X 4
		Slot covers	X 2

ДАТА ИЗГОТОВЛЕНИЯ ПРОДУКЦИИ
год и месяц изготовления продукции указаны в серийном номере продукта. (существует 2 способа определения даты изготовления, оба способа описаны ниже)

A После S/N: первые две цифры означают год, вторые две – месяц изготовления. Например, S/N: H1702000001 означает, что товар был произведен в феврале 2017 года.

B После S/N: если указаны буквы, то две буквы представляют цифры из таблицы ниже, и означают год, последующие две цифры – месяц изготовления. Например, S/N: DAG02REV1000001 означает, что товар был произведен в феврале 2017 года.

A	B	C	D	E	F	G	H	I	J
1	2	3	4	5	6	7	8	9	0

• Например, AG = 17 = 2017 год

تعليمات التركيب و الأمان:
 • عند التركيب أو التفكيك يجب التأكد من أن جميع الأسلاك مفصولة عن الكهرباء.
 • يجب اتخاذ الاحتراوات اللازمة لمنع الصعق الكهربائي.
 • من يقوم بعملية التركيب الشخص المختص فقط.
 • يجب إرتداء الملابس المناسبة أثناء تركيب/ تجميع الكمبيوتر.

GLOBAL WARRANTY POLICY
WARRANTY PERIODS OF COUGAR GAMING DEVICES
 Product : COUGAR DarkBlader X7
 Warranty : 1 Year
 • This warranty gives you specific legal rights. You may also have other rights granted under local law. These rights may vary.
 • Only for electrical components.

Distinctive Style with Dazzling RGB Lighting Effect
 DarkBlader X7 refined wedge-form and asymmetrical design bring a unique and modern style with ARGB strip to display amazing lighting effects. It can also work to a compatible motherboards' 5V connection for system-wide lighting synchronization.

MASSIVE TEMPERED GLASS LEFT PANEL
 With the full-length PSU cover hides cables and a massive tempered glass left panel presents a clean and tidy build, you can easily build a pro-level system. Furthermore, we use metal frames, instead of drilling tempered glass with 4 holes in corners, which helps to upgrade the durability.

VERTICAL GPU SUPPORT
 This revolutionary case is both about performance and aesthetics. To bring your system's awesomeness to the limit, DarkBlader X7 supports vertical GPU installation.

TOP-NOTCH GAMING HARDWARE
 To offer top-notch performance, DarkBlader X7 is able to house a mighty build. Its excellent support for up to 400mm-long graphics cards and E-ATX motherboards bring you unprecedented freedom of hardware system.

SUPERIOR COOLING
 With great support for up to 360mm water cooling radiator and seven fans, you will enjoy superior cooling horsepower to keep advanced components safe from overheating.

Model Name	DarkBlader X7	
Case Form Factor	Mid Tower	
Motherboard Type	Mini ITX / Micro ATX / ATX / CEB / E-ATX	
Dimensions (WxHxD)	220 (W) x 486 (H) x 468 (D) mm 8.7 (W) x 19.1 (H) x 18.4 (D) in	
I/O Panel	USB 3.0 x 2, USB 2.0 x 1, Mic x 1 / Audio x 1, RGB Button	
3.5" Drive Bay	2	
2.5" Drive Bay	2+2 (converted from 3.5" drive bays) / (2 SSD trays included)	
Expansion Slots	7+2	
Cooling Fan Support	Front	*120mm x 3 / 140mm x 3
	Top	120mm x 3 / 140mm x 2
	Rear	120mm x 1 (ARGB fan x 1 pre-installed)
Maximum Number of Fans	7 Max.	
Water Cooling Support	Front	*360mm / 280mm / 240mm / 140mm / 120 mm
	Top	*360mm / 280mm / 240mm / 140mm / 120 mm
	Rear	120mm
Transparent Left Panel	4mm Tempered Glass	
Onboard Lighting System	Yes	
RGB Sync with M/B	Yes	
Max. Graphics Card Length	400 (mm) / 15.7 in	
Max. CPU Cooler Height	170 (mm) / 6.7 in	
Max. PSU Length	180 (mm) / 7.1 in	

*Please choose either of front or top to install a 360mm radiator.
 *Please choose either of a TOP 360mm radiator or FRONT 120mm x 3 fans to install.

FEATURES

ENGLISH

- Integrated RGB system with 5V ARGB motherboard synchronization
- Massive tempered glass left side panel
- Support for up to E-ATX motherboard
- Support for up to a 360mm water cooling radiator and seven fans
- Support for up to 400 mm graphics cards
- Support for vertical GPU
- Support for two 3.5" HDDs and two 2.5" SSDs or four 2.5" SSDs.

DEUTSCH

- Integriertes RGB-System mit 5V-ARGB-Motherboard-Synchronisierung
- Linke Blende aus massivem Hartglas
- Unterstützt Motherboards bis E-ATX
- Unterstützt einen Wasserkühlkörper bis 360 mm und Sieben Lüfterherboard
- Unterstützt Grafikkarten bis 400 mm
- Unterstützt vertikale GPU
- Unterstützt zwei 3,5-Zoll-Festplatten und zwei 2,5-Zoll-SSDs oder vier 2,5-Zoll-SSDs

ESPAÑOL

- Sistema RGB integrado con sincronización de placa base con 5V ARGB
- Panel izquierdo de cristal templado masivo
- Soporte para la placa madre de hasta E-ATX
- Soporte para un radiador de refrigeración de agua de hasta 360 mm y Siete ventiladores
- Soporte para tarjetas gráficas de hasta 400 mm
- Soporte para la GPU vertical
- Soporte para dos discos duros de 3,5" y dos SSD de 2,5" o cuatro SSD de 2,5"

日本語

- RGBシステムは5VのマザーボードのARGB効果に同期します
- 強化ガラスウィンドウでPCの内部が見えるので内部のパーツを引き立てます
- E-ATXマザーボードに対応
- 7個のファンと360mmの水冷ラジエーターを装着でき、優れた放熱効果を確認します
- 最大400mmグラフィックカードに対応できます
- グラフィックカードを垂直に取付可能
- 3.5"のHDDを2個と2.5" SSDを2個もしくは2.5"SSDを4個搭載可能

PORTUGUÊS

- Sistema RGB integrado com sincronização de placa mãe de 5V ARGB
- Painel esquerdo em vidro maciço temperado
- Apoio até à placa-mãe E-ATX
- Suporte para um radiador de arrefecimento a água até 360mm e sete ventiladores
- Suporte para placas gráficas até 400mm
- Suporte para GPU vertical
- Suporte para dois HDD de 3,5" e dois SSD de 2,5" ou quatro SSD de 2,5"

РУССКИЙ

- Интегрированная система RGB подсветки с 5V синхронизацией материнской платы
- Массивная боковая панель из закаленного стекла
- Поддержка всех материнских плат до формата E-ATX
- Поддержка водяного охлаждения радиатора размером до 360 мм и семь вентиляторов
- Поддержка всех видеокарт размером до 400 мм
- Поддержка вертикального графического процессора
- Поддержка двух 3,5-дюймовых HDD и двух 2,5-дюймовых SSD или четыре 2,5-дюймовых SSD.

FRANÇAIS

- Système RGB intégré avec synchronisation de la carte mère ARGB 5V
- Panneau gauche en verre trempé massif
- Prise en charge des cartes mères jusqu'à E-ATX
- Prise en charge d'un radiateur de refroidissement à eau de 360 mm et de sept ventilateurs
- Prise en charge des cartes graphiques jusqu'à 400 mm
- Compatible avec les GPU verticaux
- Compatible avec deux disques durs de 3,5" et deux disques durs de 2,5" ou quatre disques durs de 2,5"

中文

- RGB整合系统支援5V主板灯效同步控制功能
- 全景透视钢化玻璃左侧盖
- 最高支援E-ATX主机板
- 最高支援360mm水冷排与7个风扇
- 最高可安装400mm显卡
- 支援显卡垂直安装
- 支援2个 3.5英寸 HDD硬盘(可转换为2个2.5英寸 SSD硬盘)与2个 2.5英寸SSD硬盘

POLISH

- Zintegrowany system RGB zsynchronizowany z płytą główną przez złącze ARGB 5 V
- Lewy panel ze szkła hartowanego
- Obsługa płyt głównych do E-ATX
- Obsługa chłodnicy wodnej o szerokości do 360 mm i siedem wentylatorów
- Obsługa kart graficznych o długości do 400 mm
- Obsługa procesora graficznego montowanego pionowo
- Obsługa dwóch dysków twardej 3.5" HDD i dwóch dysków 2.5" SSD lub cztery dysków 2.5" SSD

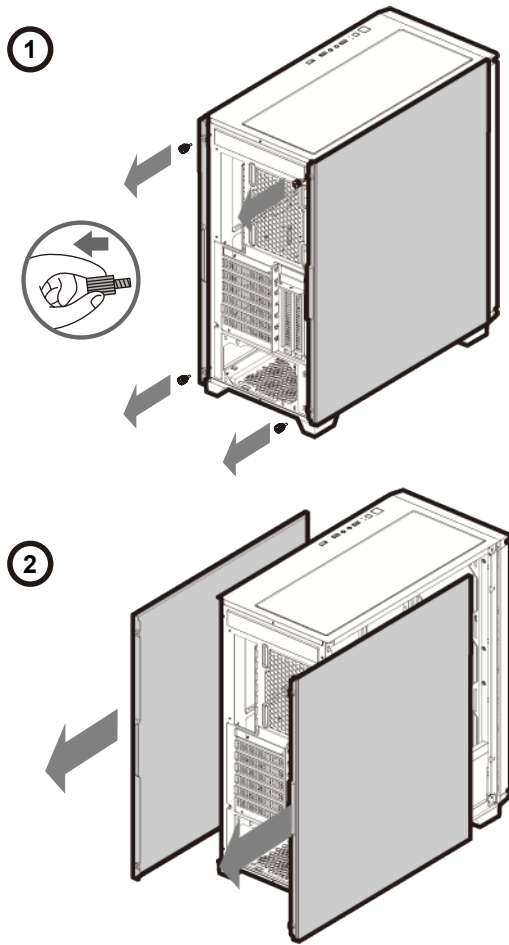
ITALIA

- Sistema RGB integrato con sincronizzazione della scheda madre ARGB 5 V
- Pannello sinistro in vetro temperato massiccio
- Supporto fino a una scheda madre E-ATX
- Supporto per un radiatore per raffreddamento ad acqua fino a 360 mm e sette ventole
- Supporto per schede grafiche fino a 400 mm
- Supporto per GPU verticale
- Supporto per due HDD da 3,5" e due SSD da 2,5" o quattro SSD da 2,5"

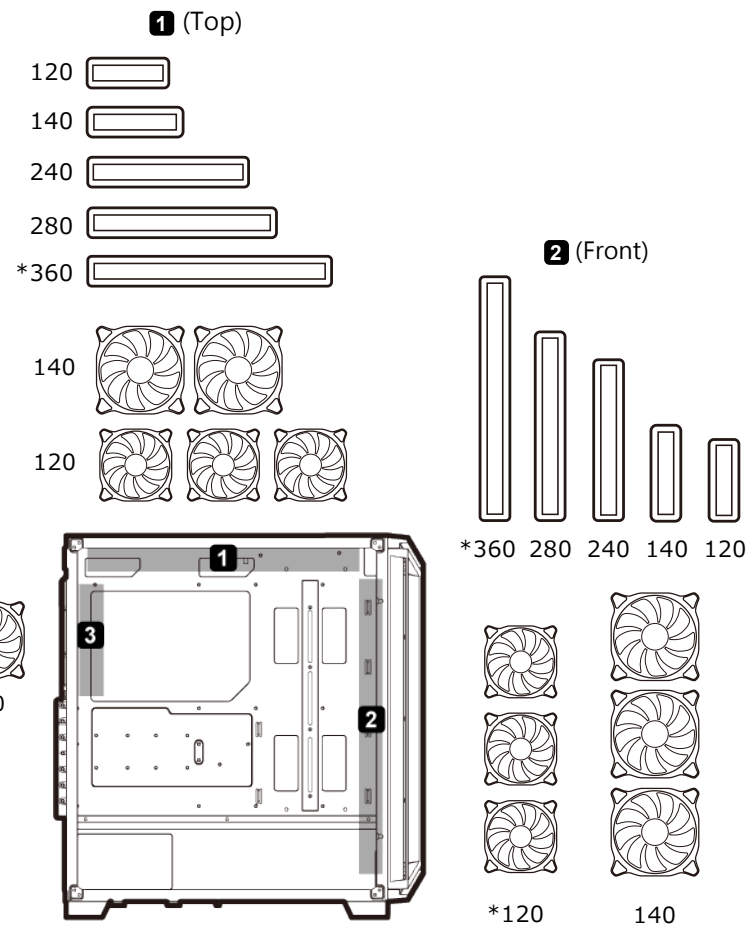
한국어

- 5V ARGB 마더 보드 동기화 기능이있는 통합 RGB 시스템
- 좌측 패널의 크고 단단한 대형 강화유리
- 최대 E-ATX 마더보드 지원
- 최대 360mm 수랭식 라디에이터 및 팬 7개 지원
- 최대 400mm 그래픽 카드 지원
- 수직 GPU 지원
- 3.5" HDD 2개 및 2.5" SSD 2개 또는 2.5" SSD 4개 지원

Removing the side panels

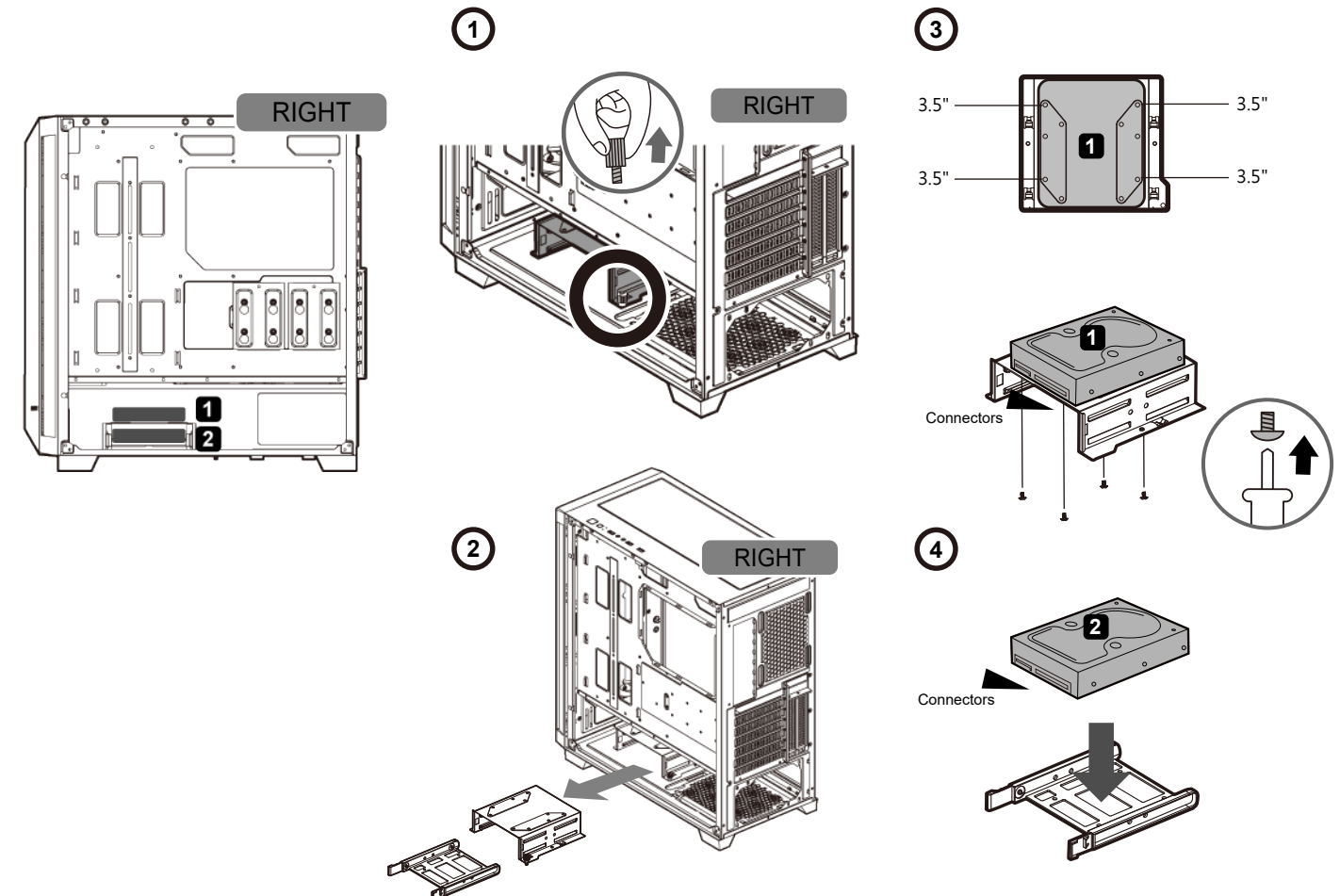


Installing water cooling radiators & cooling fans



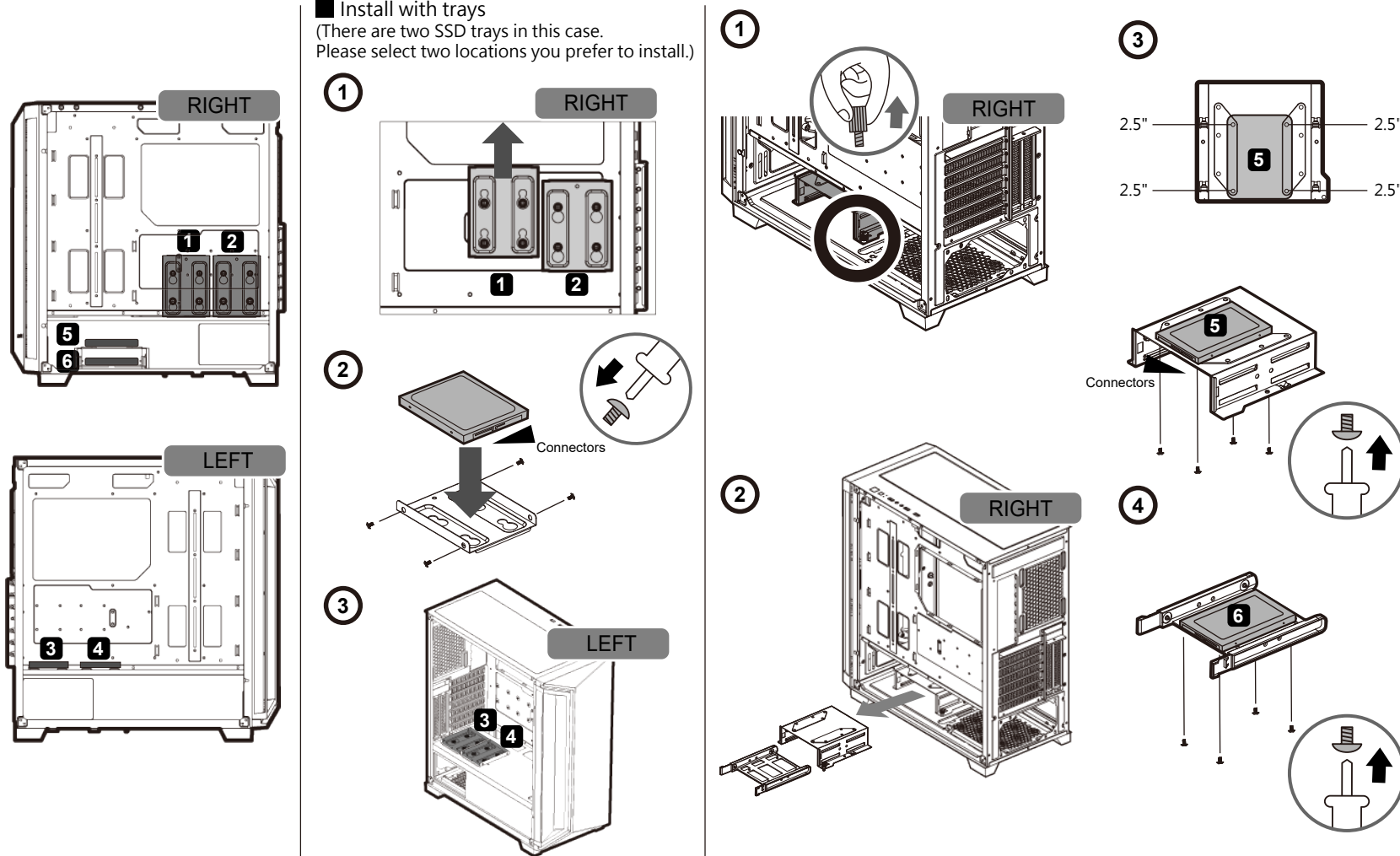
*Please choose either of front or top to install a 360mm radiator.
*Please choose either of a TOP 360mm radiator or FRONT 120mm x 3 fans to install.

Installing 3.5" HDDs

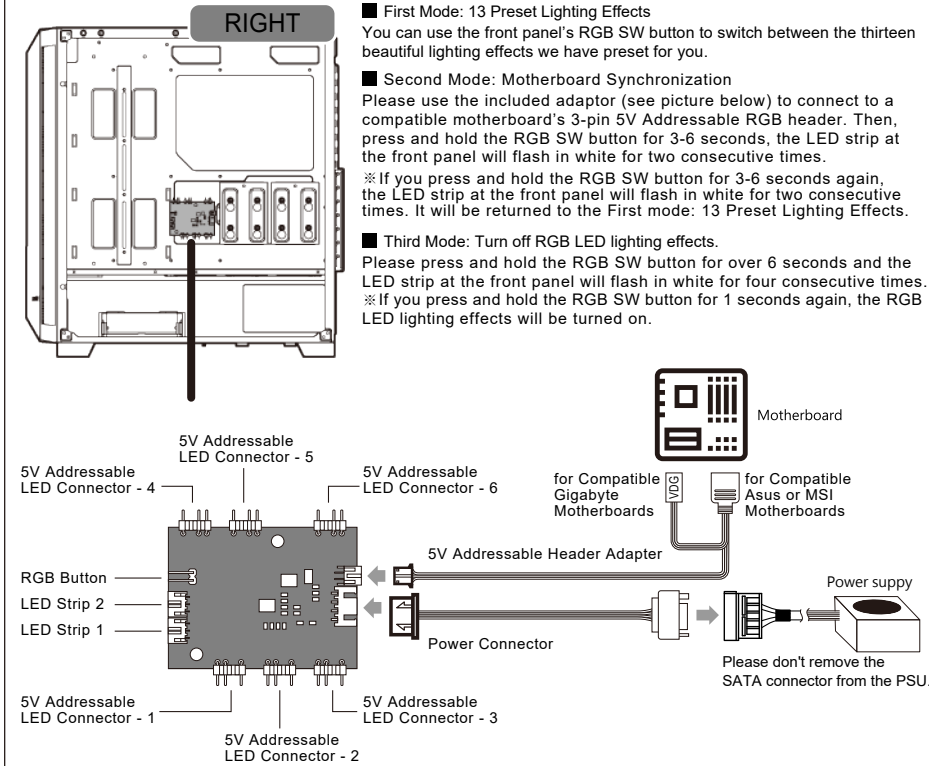


Installing 2.5" SSDs /HDDs

Install with trays
(There are two SSD trays in this case.
Please select two locations you prefer to install.)



RGB & Fan control system



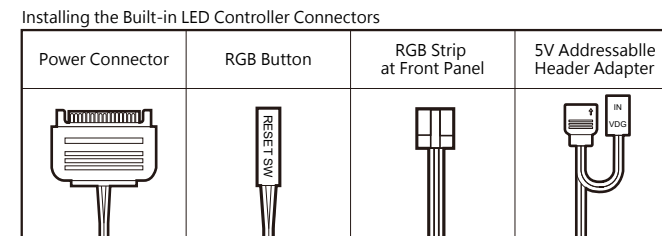
■ First Mode: 13 Preset Lighting Effects
You can use the front panel's RGB SW button to switch between the thirteen beautiful lighting effects we have preset for you.

■ Second Mode: Motherboard Synchronization
Please use the included adaptor (see picture below) to connect to a compatible motherboard's 3-pin 5V Addressable RGB header. Then, press and hold the RGB SW button for 3-6 seconds, the LED strip at the front panel will flash in white for two consecutive times.

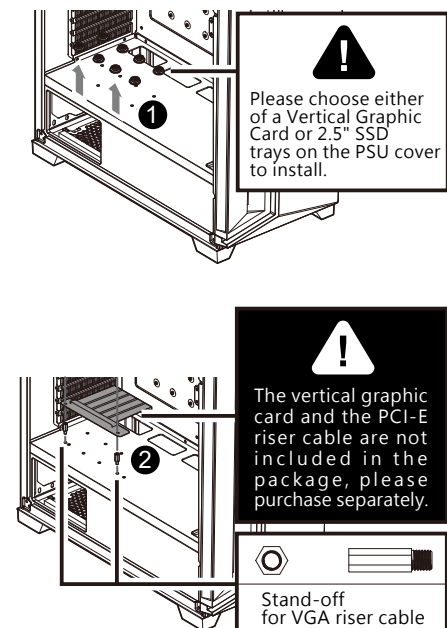
※ If you press and hold the RGB SW button for 3-6 seconds again, the LED strip at the front panel will flash in white for two consecutive times. It will be returned to the First mode: 13 Preset Lighting Effects.

■ Third Mode: Turn off RGB LED lighting effects.
Please press and hold the RGB SW button for over 6 seconds and the LED strip at the front panel will flash in white for four consecutive times.

※ If you press and hold the RGB SW button for 1 seconds again, the RGB LED lighting effects will be turned on.



Installing vertical graphic card



The vertical graphic card and the PCI-E riser cable are not included in the package, please purchase separately.

Stand-off for VGA riser cable