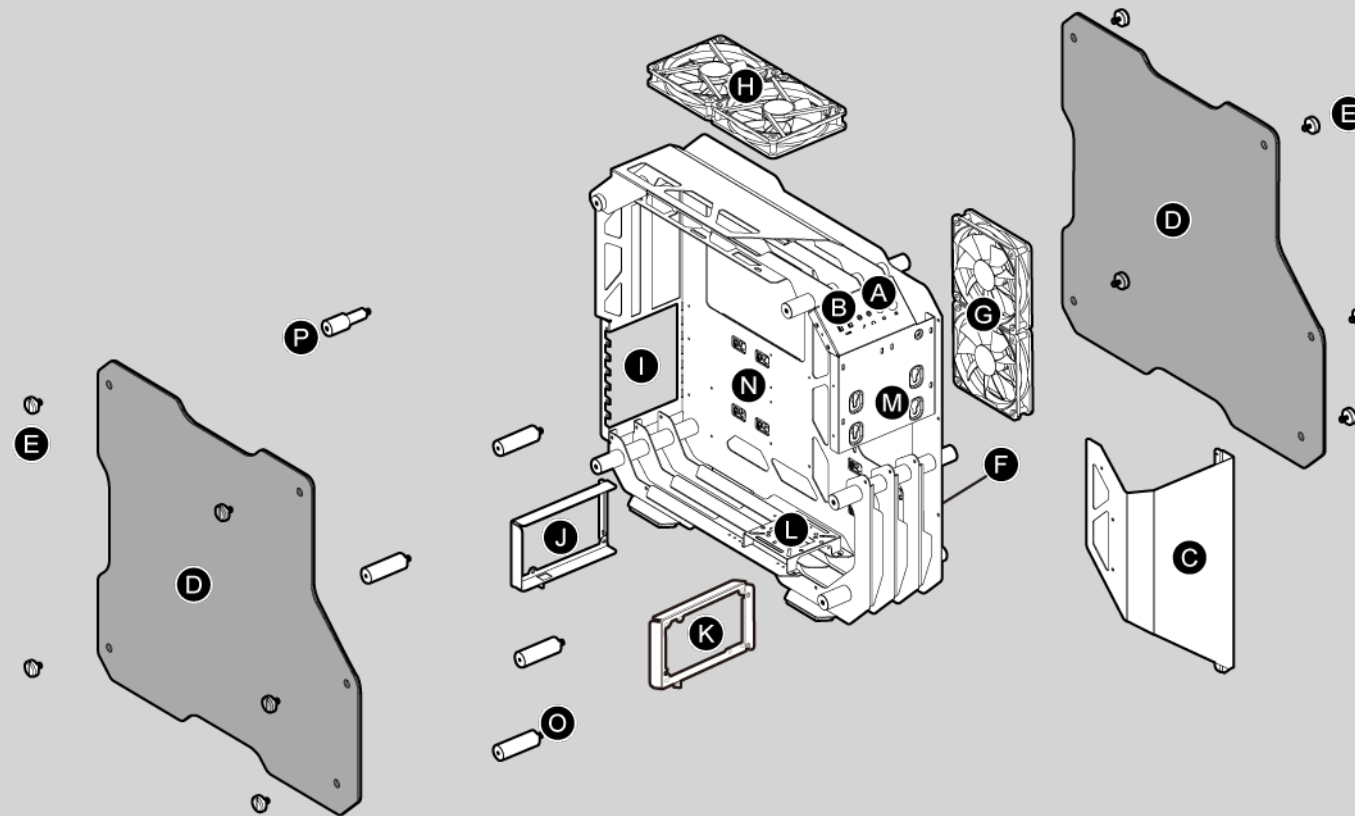


BLAZER ESSENCE

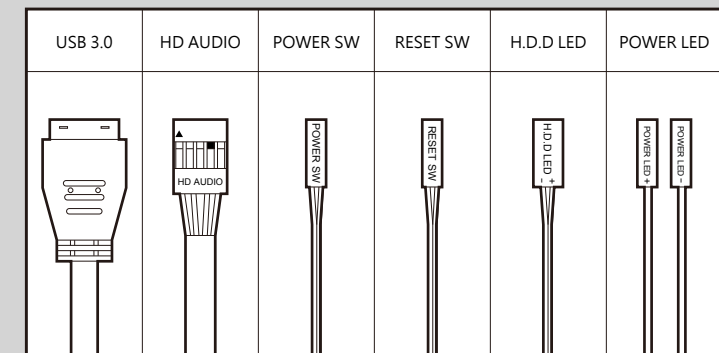
SUPERB OPEN-FRAME GAMING MID TOWER CASE

Assembly Drawing



- A** Power button / Reset button
- B** USB 3.0 / HD audio ports
- C** Front panel
- D** Tempered glass side panels
- E** Thumb screws
- F** 2.5" HDD / SSD mount for side panel
- G** 2 x 120mm fans for side panel (optional, purchased separately)
- H** 2 x 120mm fans for top panel (optional, purchased separately)
- I** Expansion slots
- J** Power supply bracket for Micro ATX and Mini ITX motherboards
- K** Power supply bracket for ATX motherboard
- L** Water cooling reservoir/ pump stand
- M** 3.5" HDD & 2.5" HDD / SSD mount for front panel
- N** 3.5" HDD mount for side panel
- O** Tempered glass columns-A (For extending case width)
- P** Tempered glass column-B (For extending case width)

Installing the Front I/O Connectors



Metal Framing Design

Blazer Essence's distinctive design based on a powerful metal frame and COUGAR's unique design DNA, presenting in every inch of its body. This case is a refined art piece!

Superior Expandability

The unique COUGAR esthetics design with superior combination of metal framing and full tempered glass panels allow you to show your high-end components for everybody to see. It also allows you to create an amazing masterpiece beyond your imagination.

Superb Cooling Performance

Cooling is a critical factor for gamers, overclockers and PC enthusiasts in general. With support for 240mm radiators and metal open-frame design to achieve extreme cooling performance.

Ideal for Case Mods

Blazer Essence's unique metal frame design breaks away from traditional case designs. It provides an easy way to build and modify the case. Your bold modding concepts are achievable with creation of unlimited. A modder's dream come true!

Model Name	Blazer Essence
Model No.	CGR-5LMHO
Case Form Factor	Mid Tower
Motherboard Type	Mini ITX / Micro ATX / ATX
Dimension	236 x 472 x 528 (mm)
	9.3 x 18.6 x 20.8 (inch)
I/O Panel	USB3.0 x 2, Mic x 1 / Audio x 1, Reset Button
3.5" Drive Bay	2 Max.
2.5" Drive Bay	3 Max.
Expansion Slots	7
Cooling Fan Support	Top : 120mm x 2
	Right Side : 120mm x 2
Maximum Number of Fans	4 Max.
Water Cooling Support	Top : 240 / 120 (mm)
	Right Side : 240 / 120 (mm)
Max. Graphics Card Length	310 (mm) / 12.2 (in)
Max. CPU Cooler Height	150 (mm) / 5.9 (in)
Max. PSU Length	160 (mm) / 6.3 (in) for Micro ATX and Mini ITX motherboards
	140 (mm) / 5.5 (in) for ATX motherboard
PSU	Standard ATX PS2
Tempered Glass Side Panel	Both Sides 4mm Thick

Specifications might vary depending on the country or region of sale.

FEATURES

ENGLISH

- All the metal framing design is made meticulously for refining every design detail.
- Put your components on display through beautiful 4mm thick tempered glass with metal frame to showcase directly your high-end and powerful gaming system.
- Easy to assemble framing design with superior expandability for builders.
- Support for up to 240mm radiator
- Support for two 3.5" HDDs or three 2.5" HDDs/SSDs
- Support for up to 310mm long graphics cards.
- Two USB 3.0 ports at the front I/O panel

DEUTSCH

- Die gesamte platte aus metall wurde sorgfältig zur verfeinerung sämtlicher designdetails bearbeitet.
- Stellen sie Ihre komponenten durch wunderschönes 4mm dickes gehärtetes glas mit rahmen aus metall zur schau, für direkte einblicke in Ihr hochmodernes, leistungsfähiges gaming-system.
- Einfach zu montierendes rahmendesign mit ausgerechneter erweiterbarkeit für Builder.
- Unterstützt bis zu einen 240-mm-kühlkörper.
- Unterstützt zwei 3,5 zoll HDDs oder drei 2,5 zoll HDDs/SSDs
- Unterstützt grafikkarten mit einer länge von bis zu 310 mm.
- Zwei USB 3.0-anschlüsse an der vorderen I/O-leiste

ESPAÑOL

- Las placas de metal son hechas meticulosamente con maquinas avanzadas para refinar cada detalle.
- Coloque tus componentes en exhibición a través del lindo vidrio templado de 4mm con marco de metal para lucir directamente tu poderoso sistema gamer de última generación.
- Diseño de fácil montaje, con capacidad superior de expansión.
- Soporta hasta un Radiador de 240mm
- Soporte para dos HDDs de 3.5" o tres HDDs/SSDs de 2.5"
- Soporta Tarjetas Gráficas de Hasta 310mm de Longitud
- Dos puertos USB 3.0 en el panel frontal de I/O

ДАТА ИЗГОТОВЛЕНИЯ ПРОДУКЦИИ

год и месяц изготовления продукции указаны в серийном номере продукта. (существует 2 способа определения даты изготовления, оба способа описаны ниже)

- A** После S/N: первые две цифры означают год, вторые две – месяц изготовления. Например, S/N: H1702000001 означает, что товар был произведен в феврале 2017 года.
- B** После S/N: если указаны буквы, то две буквы представляют цифры из таблицы ниже, и означают год, следующие две цифры – месяц изготовления. Например, S/N: DAG02REV1000001 означает, что товар был произведен в феврале 2017 года.

A	B	C	D	E	F	G	H	I	J
1	2	3	4	5	6	7	8	9	0

• Например, AG = 17 = 2017 год

GLOBAL WARRANTY POLICY

WARRANTY PERIODS OF COUGAR GAMING DEVICES

Product : COUGAR BLAZER ESSENCE
 Warranty : 1 Year
 *This warranty gives you specific legal rights. You may also have other rights granted under local law. These rights may vary.
 *Only for electrical components

ITALIANO

- Tutto il telaio in metallo è realizzato con precisione con finiture controllate da computer per completare ogni dettaglio.
- Mostrate i vostri componenti attraverso il vetro temperato da 4mm con telaio in metallo, realizzato per farvi presentare direttamente il vostro sistema di gioco di fascia alta.
- Semplice da assemblare grazie al design particolare, ed espandibile per gli appassionati.
- Supporta fino a un radiatore da 240 mm
- Supporto per due HDDs da 3,5" o tre HDDs/SSDs da 2,5"
- Supporto per schede grafiche fino a 310mm di lunghezza.
- Due porte USB 3.0 sul pannello I/O anteriore

中文

- 延续COUGAR一致出色的军事风格DNA与结构美学，全新的金属框架严格精制每一处细节。
- 将您的机箱组件放置在厚度4mm的钢化玻璃与金属框架中，能够展现出您高端与强大的电竞系统。
- 为改装玩家量身打造的简易组装框架设计与绝佳的扩充性。
- 最高可支援240mm的水冷散热器
- 支持2个 3.5" HDD硬盘或 3个 2.5" HDD/SSD硬盘
- 支援长达310mm的显示卡
- 前面板 I / O 有两个USB 3.0端口

PORTUGUÊS

- As placas de metal são fabricadas meticulosamente com máquinas avançadas para refinar cada detalhe.
- Coloque seus componentes em exibição através do lindo vidro temperado de 4mm com moldura de metal para exibir diretamente o seu poderoso layout de última geração.
- Design de fácil montagem, com capacidade superior de expansão.
- Suporte para até um Radiador de 240mm
- Suporte para dois HDDs de 3.5" ou tres HDDs/SSDs de 2.5"
- Suporte até para Placas Gráficas de 310mm de Comprimento.
- Duas portas USB 3.0 no painel frontal de I/O

تعليمات التركيب و الامان:
 عند التركيب أو التفكيك يجب التأكد من أن جميع الأسلاك مفصولة عن الكهرباء.
 يجب اتخاذ الاحتياطات اللازمة لمنع الصعق الكهربائي.
 يجب ارتداء الملابس المناسبة أثناء تركيب/ تجميع الكمبيوتر.
 يجب تركيب كل قطعة بحذر و بمكانها المناسب.
 من يقوم بعملية التركيب الشخص المختص فقط.

БЪЛГАРИЯ

- Подобни инструкции за употреба изгледете от: <https://cougargaming.com/bg>



България QR код

COUGAR USA Technical Service
 Tel: (833) 256-3778
 Mail: rma@compucaseusa.com
<https://cougargaming.com/support/contact/upload/>

For more information, please visit
www.cougargaming.com
 Compucase Enterprise Co.,Ltd.
 All rights reserved.

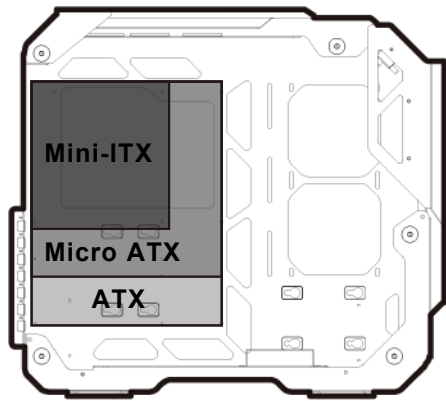
Compucase Enterprise Co.,Ltd.
 No. 225, Lane 54, An Ho Road Sec. 2 Tainan, Taiwan, R.O.C
 Tel:+886-6-356-0606
 Service E-Mail:service@cougargaming.com



ACCESSORY KIT

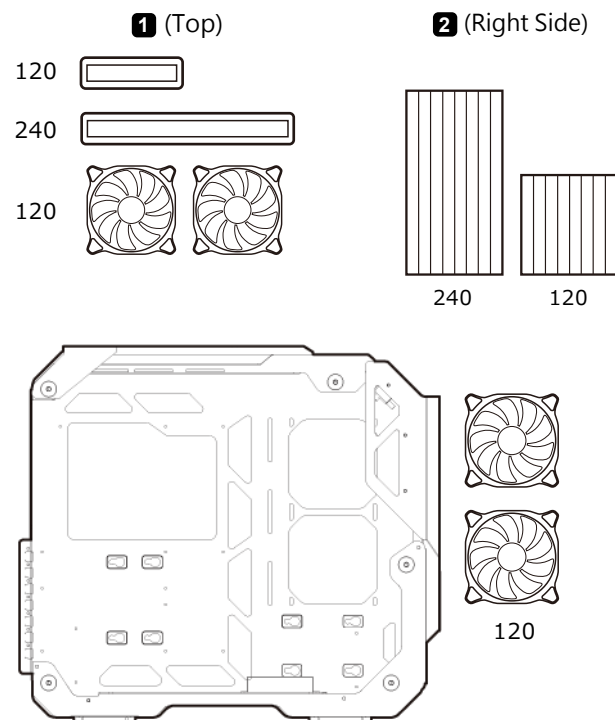
		3.5" HDD step screws	X 12
		3.5" HDD screw rubbers	X 12
		2.5" SSD step screws for the right panel	X 8
		2.5" SSD screw rubbers for the right panel	X 8
		2.5" SSD screws for the front panel & MB screws	X 22
		Fan screws	X 16
		Power supply screws	X 9
		Stand-off	X 3
		Thumb screws for glass panels	X 10
		Cable ties	X 5
		Cable hooks	X 5
		Tempered glass columns-A (For extending case width)	X 4
		Tempered glass column-B (For extending case width)	X 1

Installing an motherboard

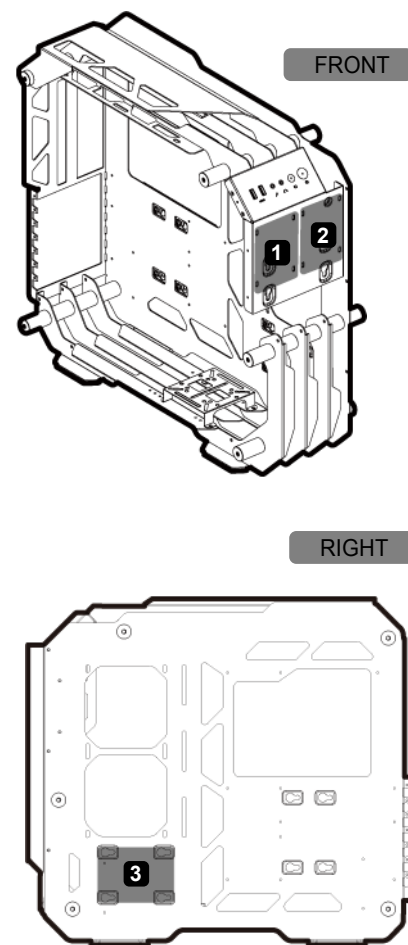


■ Supports Mini ITX, Micro ATX, and ATX motherboards.

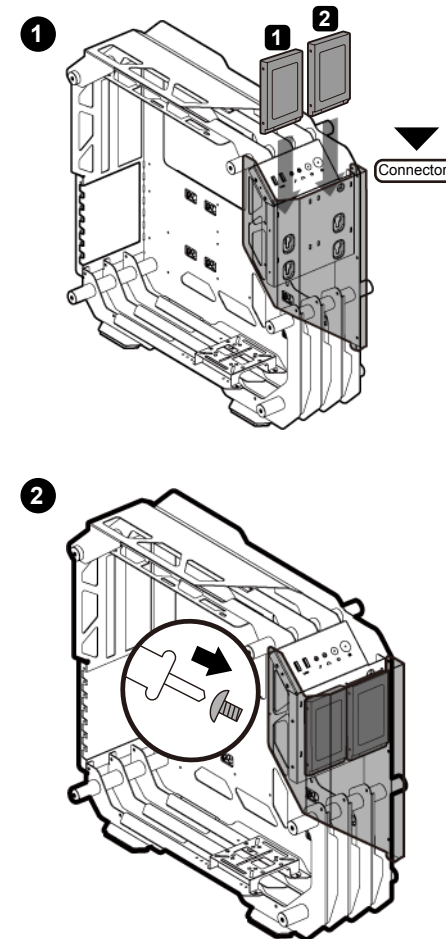
Installing water cooling radiators & cooling fans



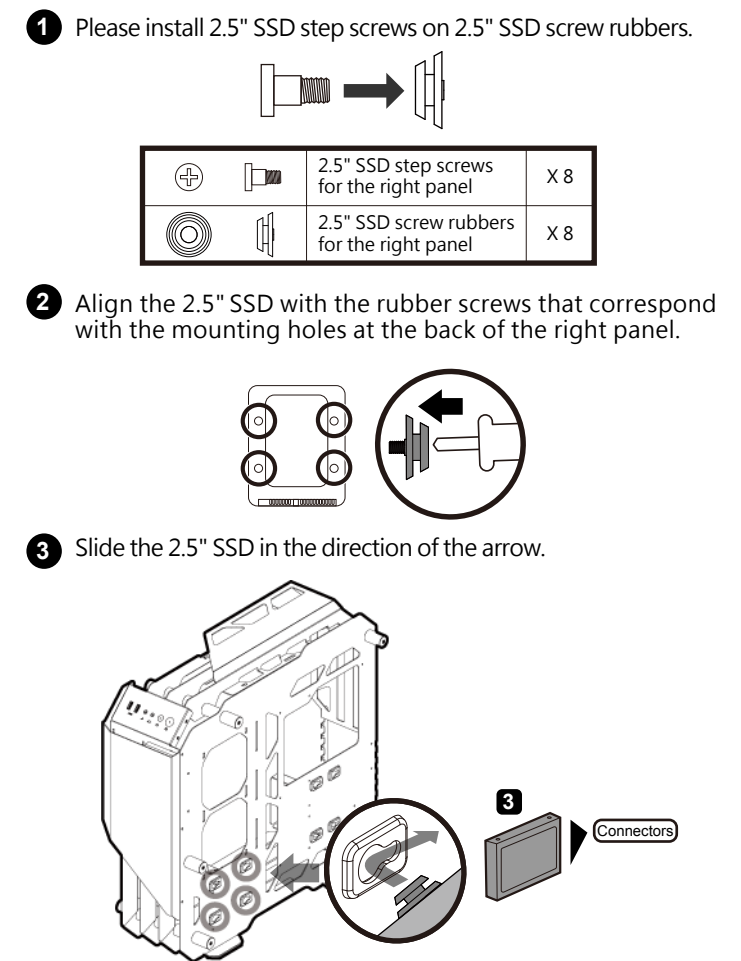
Installing an internal 2.5" HDD/SSD



FRONT

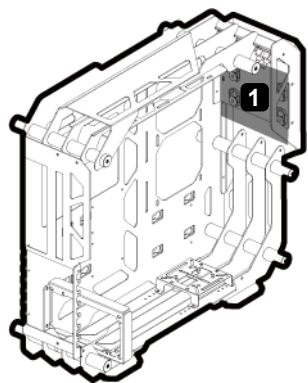


RIGHT



Installing an internal 3.5" HDD

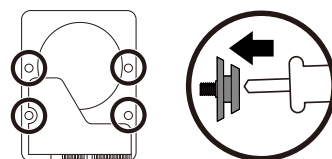
AT THE BACK OF THE FRONT PANEL



1 Please install 3.5" HDD step screws on 3.5" HDD screw rubbers.

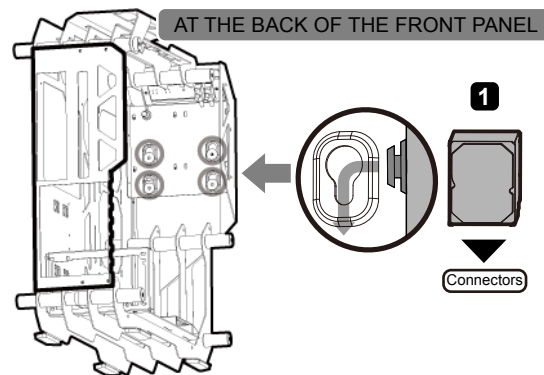
	3.5" HDD step screws	X 12
	3.5" HDD screw rubbers	X 12

2 Align the 3.5" HDD with the rubber screws that correspond with the mounting holes at the back of the front panel.

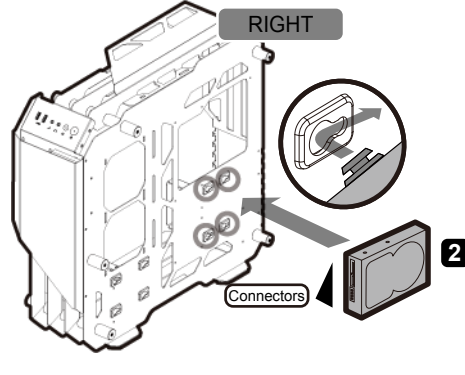


3 Slide the 3.5" HDD in the direction of the arrow.

AT THE BACK OF THE FRONT PANEL

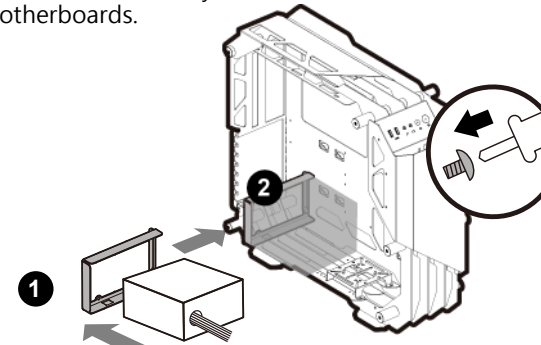


RIGHT

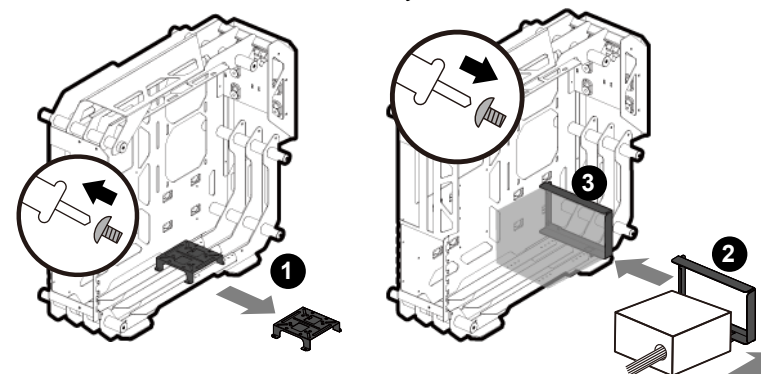


Installing a power supply

A Please use PSU bracket M when you install Micro ATX or Mini ITX motherboards.



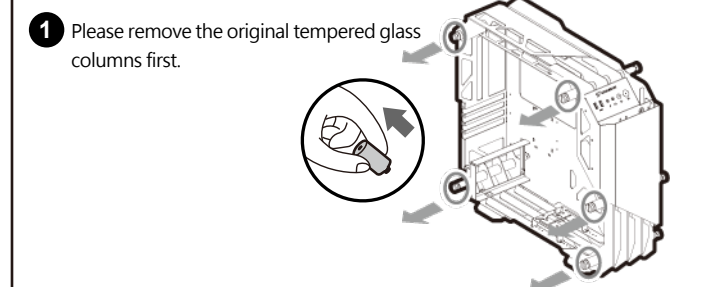
B Please remove the water cooling reservoir/pump stand first. Then, use PSU bracket A when you install ATX motherboard.



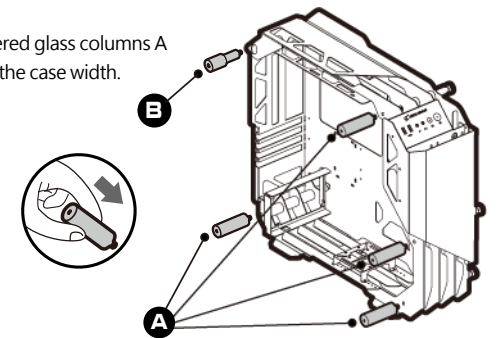
A		For Micro ATX and Mini ITX motherboards	Max. PSU Length 160 (mm) / 6.3 (in)
B		For ATX motherboard	Max. PSU Length 140 (mm) / 5.5 (in)

Installing tempered glass columns for extending case width

If the GPU height or CPU cooler height is higher than the original left tempered glass panel, please change tempered glass columns to extend the case width.



2 Install the tempered glass columns A and B to extend the case width.



A		Tempered glass columns-A (For extending case width)	X 4
B		Tempered glass column-B (For extending case width)	X 1