



# TURRET

*Pro-Cooling Compact Gaming Case  
with Tempered Glass Side Window*

**TURRET** is an affordable case that combines everything. It sports an attractive and compact design with a computer glass and includes two powerful Vortex LED fans. It supports six cooling fans and three radiators, and its Gaming Vent system allows plenty of air to enter the case. It also allows you to install up to three 350mm-long graphics card. What else can you ask for?



## A Window to Your Computer

A full-size tempered glass cover gives you a perfect view of your computer's internal components, and allows you to put on display your skills and set up amazing lighting effects in it!



## Great Cooling Support

With support for six fans and three radiators (including a frontal one up to 360mm), you will be able to build a solution that guarantees all your key components are protected from overheating.



## Two Incredible LED Fans

The two pre-installed Powerful Vortex LED fans combine the patented Vortex technology's powerful and focused airflows with COUGAR's new generation lighting design that emanates light in a 180° angle.



## Gaming Vent System

We know gaming generates heat. To guarantee plenty of fresh air for your components, we have endowed TURRET with a Gaming Vent System. This allows air to come in and out of the case with ease.



## Graphics Power for Your Games

With support for up to three 350mm long graphics cards, TURRET can house all the power you need to run the latest games smoothly.

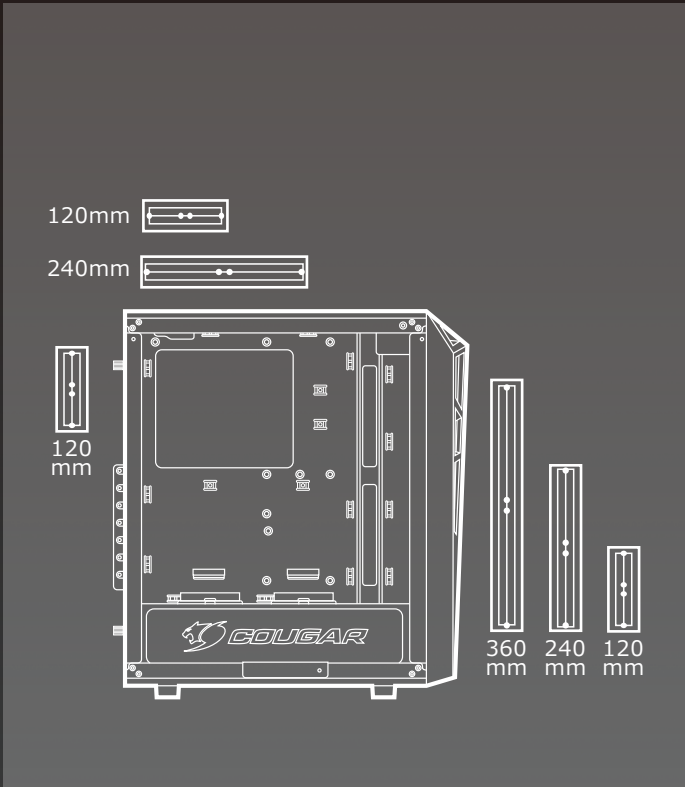




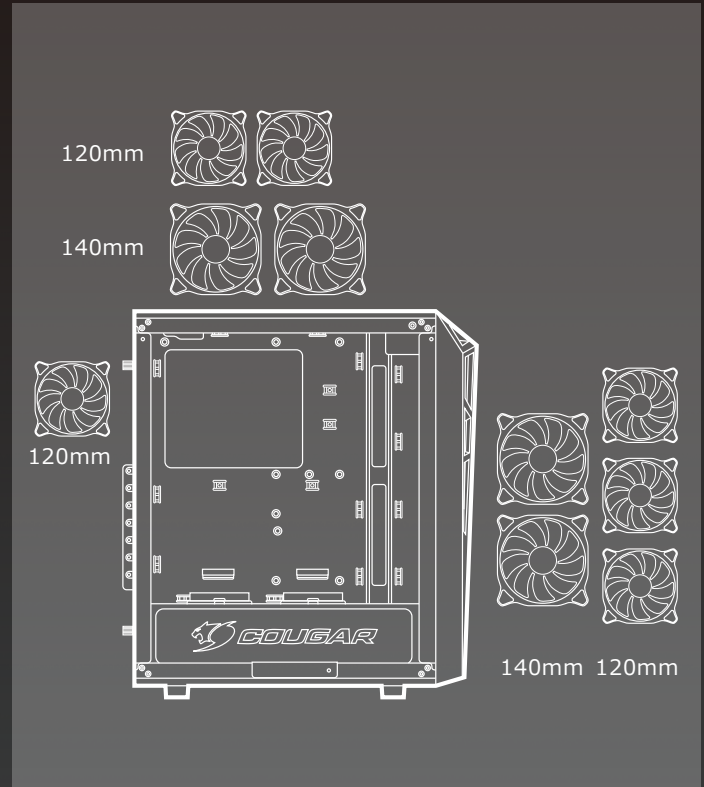
# TURRET

*Pro-Cooling Compact Gaming Case  
with Tempered Glass Side Window*

## Water Cooling Radiator Support



## Air Cooling Support



## Specifications

|                           |   |   |
|---------------------------|---|---|
| Case Form Factor          | Mid-Tower   |   |
| Motherboard Type          | Mini ITX / Micro ATX / ATX                        |   |
| Dimension (WxHxD)         | 206 x 461 x 420 (mm)<br>8.11 x 18.14 x 16.53 (in) |   |
| 3.5" Drive Bay            | 2   |   |
| 2.5" Drive Bay            | 2+2 (Converted from 3.5" Drive Bays)              |   |
| I/O Panel                 | USB3.0 x 2 / USB2.0 x 1 / Mic x 1 / Audio x 1     |   |
| Cooling System            | Front   | 120mm x 3 / 140mm x 2<br>(120mm x 2 COUGAR VORTEX LED fan pre-installed ) |
|                           | Top   | 120mm x 2 / 140mm x 2   |
|                           | Rear  | 120mm   |
| Water Cooling Support     | Front   | 360mm / 240mm / 120mm   |
|                           | Top   | 120mm / 240mm<br>(max component height on motherboard 40mm)               |
|                           | Rear  | 120mm   |
| Cable Management          | Yes   |   |
| Expansion Slots           | 7   |   |
| Max. Graphic Cards Length | 350 (mm) / 13.77 (in)                             |   |
| Max. Cpu Cooler Height    | 160 (mm) / 6.29 (in)                              |   |
| Transparent Side Panel    | Tempered Glass                                    |   |
| PSU                       | Standard ATX PS2                                  |   |