



TROFEO

Elegant and Functional, this mid-tower case with a brushed steel front panel and a hinged tempered glass side panel is a brilliant solution for both gamers and professionals.



Great Looks

A hinged tempered glass side window allows you to see clearly your computer's components and easily replace them, while the elegant brushed steel front panel gives it a modern and distinctive design. Good for both gamers and professionals, this is a case that looks great in any environment!



Extended Compatibility

With support for high-end motherboards up to 12 x 13 (E-ATX) and seven expansion slots for up to three 360mm graphics cards, you can build a wide range of powerful builds within TROFEO.



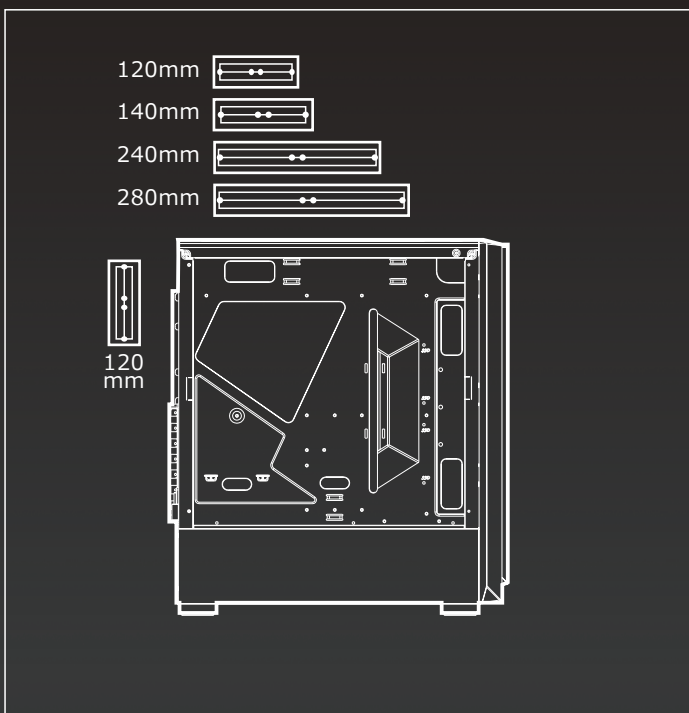


TROFEO

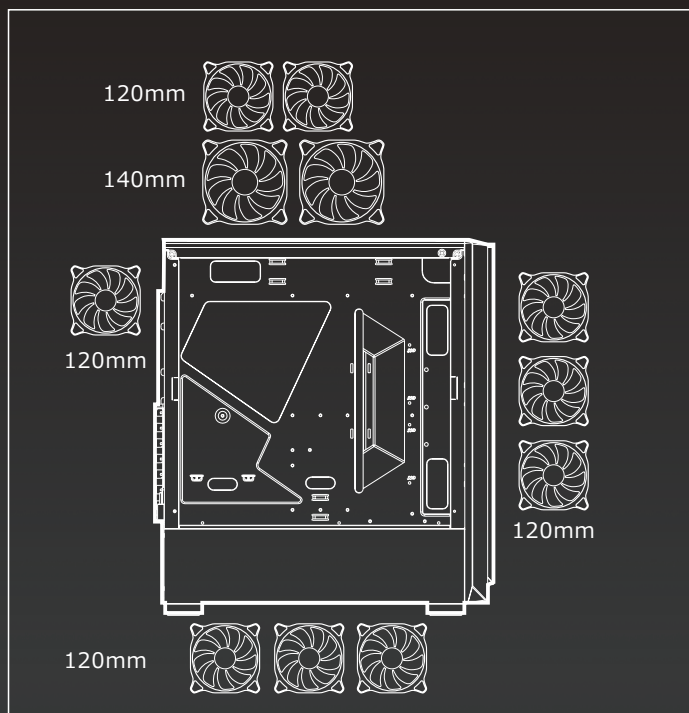
Great Cooling

With support for up to nine fans and two radiators and two big vents on the sides of the front panel that provide quick access to fresh air, TROFEO helps you keep your computer's temperature under control.

Water cooling radiator support



Air cooling support



Specifications

Model Name	TROFEO	
Case Form Factor	Mid-Tower	
Motherboard Type	Mini ITX / Micro ATX / ATX / E-ATX	
Dimension (WxHxD)	205 x 490 x 440 (mm) 8.07 x 19.29 x 17.32 (in)	
3.5" Drive Bay	2	
2.5" Drive Bay	3	
Expansion Slots	7	
Cooling System	Front	120mm x 3
	Top	140mm x 2 / 120mm x 2
	Rear	120mm (pre-installed)
	Bottom	120mm x 3
I/O Panel	USB3.0 x 2 / USB2.0 x 1 / Mic x 1 / Audio x 1	
Water Cooling Support	Top	280mm / 240mm / 140mm / 120mm
	Rear	120mm
Max. Graphic Cards Length	360 (mm) / 14.17 (in)	
Max. CPU Cooler Height	160 (mm) / 6.29 (in)	
PSU	Standard ATX PS2	
Total Fan	9 Max.	